



**Merlin**<sup>®</sup>  
the automatic choice

# OVERDRIVE™



OR

**DOOR TYPES:** light commercial rolling garage doors **DOOR SIZE:** up to 25m<sup>2</sup>

**DOOR TYPES:** light commercial windlocked rolling garage doors **DOOR SIZE:** up to 18 m<sup>2</sup>

## Key Benefits

### Security+2.0

Transmitters communicate on multiple frequencies with encrypted rolling code. This ensures the strongest frequency is selected every time, virtually eliminating interference while providing the highest level of security.

### Up to 75% less energy\*

Advanced technology uses less than 1 watt of power whilst in standby mode, meeting the world's toughest energy standards.

### Quiet and Powerful Motor

The powerful and fast DC motor is quiet and built to last with the strength to open any branded domestic door.

### Adaptive Technology

Automatic power adjustment and electronic mapping of the door means the OverDrive adapts to the change in door spring and hinge operation that naturally occurs with varying weather conditions and age.

### Improved Transmitter Range

Tested against other products, these transmitters have up to 18% better range which means you can start opening your garage door sooner.

### Soft Start / Stop Function

Designed to ensure smooth and quiet door operation.

### Works even when the power is out

Evercharge® Battery backup system ensures you can always operate your door even when there has been a power failure.

### 2 Year Warranty

Backed by a 2 year / 5,000 cycle warranty\*\* (including wind lock applications) we stand behind our products with an after sales support team that we believe are the best in the industry.

## COMPLIANT TO AUSTRALIAN AND NEW ZEALAND STANDARDS

### Standard Merlin Safety Features

#### Premium Automatic Safety Reverse

With its automatic safety function your garage door will stop and reverse automatically if obstructed going down or stop if obstructed going up.

#### Automatic Force Sensing

Equipped with automatic force sensing, with each operation the garage door opener monitors and adjusts the force needed to open your garage door.

#### Manual Release

In case of power failure you can simply activate the manual release to open your garage door.



## Kit Contents



1 x Powerhead



Wireless Wall button E128M



2 x Three channel key ring mini-transmitters E945M

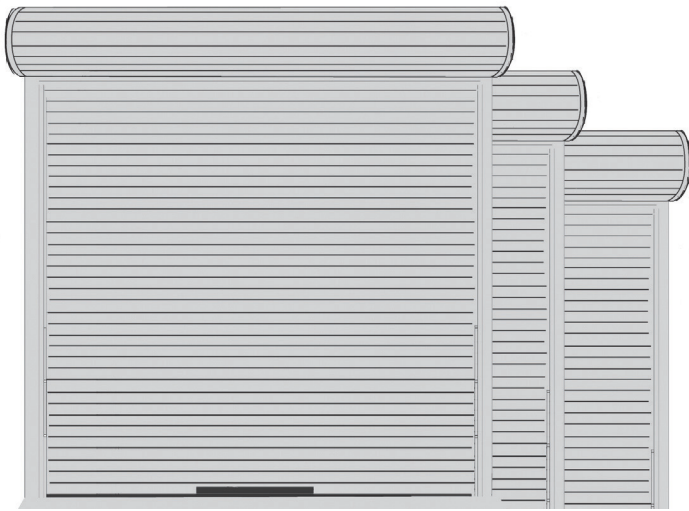


Battery backup unit with quick connect socket E475M

## SPECIFICATIONS

- 12V DC motor with thermal overload protection
- Input voltage: 240V AC
- Rated door area up to 25m<sup>2</sup>
- Drum rotations: 4.5
- Pulling force: 1300 N
- Minimum side room 45mm
- 433.30, 434.54, 433.92 MHz AM radio with Security+2.0 encrypted rolling code technology.
- Up to 64 memory registers
- Garage illumination: 12 premium ultrabright LEDs
- Noise Rating 1M : 59DB

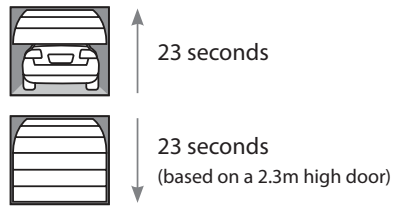
\*when compared to other available products \*\* conditions apply



### SPECIFICATIONS

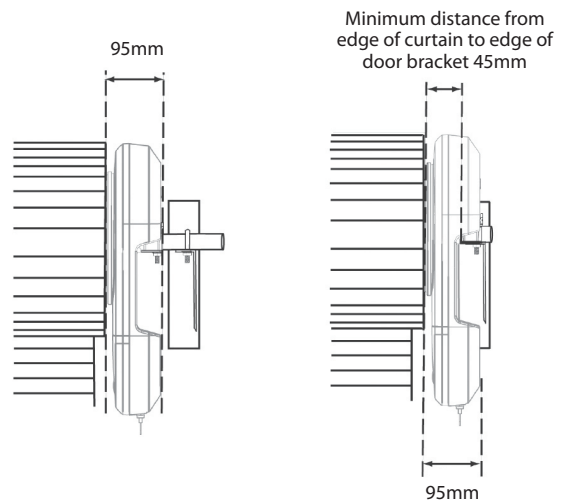
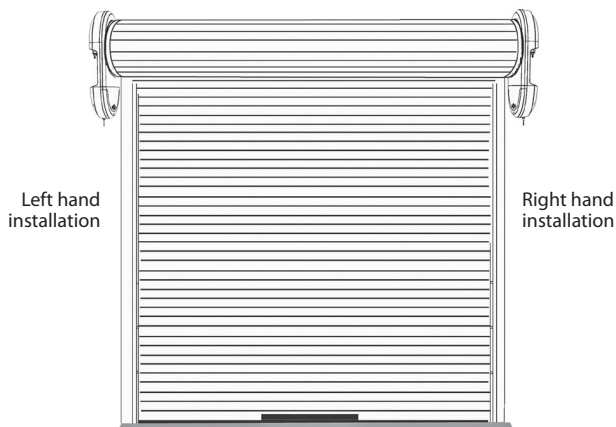
- Maximum lifting under spring tension = 20 Kgs
- Suitable for steel spring balanced doors

### DOOR OPENING AND CLOSING TIMES



Door Height: 5.5m, 5.0m, 4.5m, Door Width: 5.5m, 5.0m 4.5m

### TYPICAL INSTALLATION



### OPTIONAL ACCESSORIES



Wall or visor mounted three channel transmitter  
E943M



Wall or visor mounted single channel transmitter  
E940M



Protector system safety beam sensors  
C77



Wireless keypad  
E840M

**CHAMBERLAIN®**

The World's Largest Manufacturer of Garage Door Openers

**Australia** Phone: 1800 638 234 Fax: 1800 888 121 Web: [gomerlin.com.au](http://gomerlin.com.au)  
**New Zealand** Phone: 0800 653 667 Fax: 0800 653 663 Web: [gomerlin.co.nz](http://gomerlin.co.nz)

™ Trademark of The Chamberlain Group, Inc. ® Registered Trademark of The Chamberlain Group, Inc.  
© 2014 The Chamberlain Group, Inc.

