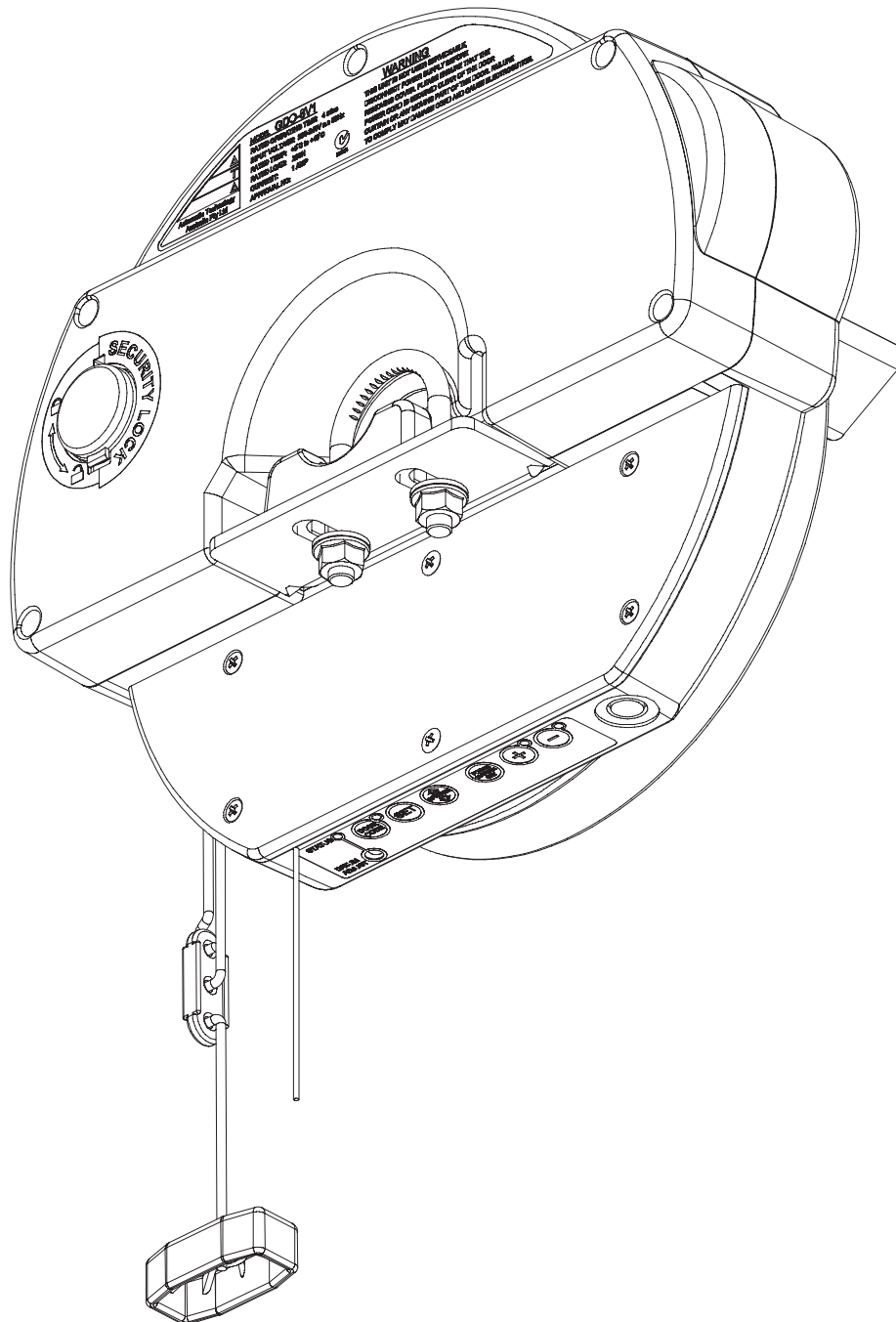




GDO-8V2 EasyRoller® II

Weather Resistant Roll Up Door Opener



automatic
TECHNOLOGY

smart | simple | secure



WARNING: It is vital for the safety of persons to follow all instructions. Failure to comply with the installation instructions and the safety warnings may result in serious personal injury and/or property and remote control opener damage. Please save these instructions for future reference.

Automatic Technology Australia Pty Ltd to the extent that such may be lawfully excluded hereby expressly disclaims all conditions or warranties, statutory or otherwise which may be implied by laws as conditions or warranties of purchase of an Automatic Technology Australia Pty Ltd Roll Up Garage Door Opener. Automatic Technology Australia Pty Ltd hereby further expressly excludes all or any liability for any injury, damage, cost, expense or claim whatsoever suffered by any person as a result whether directly or indirectly from failure to install the Automatic Technology Australia Roll Up Garage Door Opener in accordance with these installation instructions.



GDO-8v2 EasyRoller® II

Roll Up Garage Door Opener

Safety Warnings	4
Product Features	6
Operating Controls	8
Package Contents	10
Side Room Requirements	11
Fixing Weight Bar	11
Fitting Locking Bar Covers	11
Mounting The Opener	12
Fixing Curtain To Drum	13
Setting Limits Via Control Panel	13
Setting Limits Via Transmitter	14
Setting Obstruction Force Margin (ISS)	15
Re-Calculating Force Margin Sensitivity	15
Coding Transmitters	16
Deleting Transmitters	16
Locking the Control Panel	16
Connecting Photo Electric Beam	17
Connecting External Secure Light Module	17
Using Manual Release	17
Resetting Factory Defaults	17
Door Status Indicators	18
Buttons and Functions	18
Supplier/Installer Information	18
Factory Default Settings	19
Technical Specifications	19
Trouble Shooting Guide	20
Parts List	22
Warranty	23





Important safety instructions

WARNING: It is vital for the safety of persons to follow all instructions. Failure to comply with the following Safety Rules may result in serious personal injury and/or property damage.



FOR ADDITIONAL SAFETY protection we strongly recommend the fitting of a Photo Electric (P.E.) Beam. In most countries P.E. Beams are mandatory on all garage doors fitted with automatic openers. For a small additional outlay Automatic Technology recommends that P.E. Beams be installed with the EasyRoller® II ensuring additional safety and peace of mind.

DO NOT operate the EasyRoller® II unless the garage door is in full view and free from objects such as cars and children/people. Make sure that the door has finished moving before entering or leaving the garage.

DO NOT operate the EasyRoller® II when children/persons are near the door. Children must be supervised near the garage door at all times when the EasyRoller® II is in use. **serious personal injury** and/or property damage can result from failure to follow this warning.

DO NOT allow children to operate the EasyRoller® II. **Serious personal injury** and/or property damage can result from failure to follow this warning.

Regularly check to make sure that the **safety obstruction force** is working correctly, and is **tested** and set as per page 15 of this Manual. Failure to follow this could result in **serious personal injury** and/or property damage. This test must be repeated at regular intervals and the necessary adjustments made as required.

DO NOT disengage the EasyRoller® II to manual operation with children/persons or any other objects including motor vehicles within the doorway. Install the wall switch or wall mounted transmitter in a location where it is out of reach of children and the garage door is visible.



Important safety instructions

The EasyRoller® II is not intended for use by young children or infirm persons without adequate supervision. Children should be supervised to ensure they do not play with the remote transmitters or the EasyRoller® II.

Keep hands and loose clothing **clear** of the door and EasyRoller® II at all times.

The unit is rated to IP24, however, it should be installed so that it is protected from the elements. Where possible it should not be exposed to water or rain. **It is not to be** immersed in water or **sprayed directly by a hose or other water carrying device.**

The garage door must be **well balanced**. Sticking or binding doors must be repaired by a qualified garage door installer prior to installation of the EasyRoller® II.

Frequently examine the installation, in particular cables, springs and mountings for signs of wear, damage or imbalance. **DO NOT** use if repair or adjustment is needed since a fault in the installation or an incorrectly balanced door may cause injury. **DO NOT** attempt to repair the door yourself as hardware is under extreme tension.

Remove or disengage all garage door locks and mechanisms prior to installation of the EasyRoller® II.

Connect the EasyRoller® II to a properly **earthed** general purpose 240V mains power outlet installed by a qualified electrical contractor. The outlet (and EasyRoller® II) must be positioned so that it is easily accessible.

Disconnect the power cord from mains power before making any repairs or removing covers. Only **experienced** service personnel should remove covers from the EasyRoller® II.

In order for the EasyRoller® II to **sense** an object obstructing the door way, some **force** must be exerted on the object. As a result the object, door and/or person may suffer **damage** or **injury**.

If the power supply cord is damaged, it **must** be replaced by an Automatic Technology service agent or suitably qualified person.

Make sure that the door is fully open before driving in or out of the garage and fully closed before leaving the driveway.

Make sure that remote controls are kept out of reach of children.





Features

Thank you for purchasing the Automatic Technology EasyRoller® II Automatic Garage Door Opener. Designed by our renowned engineers to suit vertical operating continuous curtain roll up doors, the EasyRoller® will provide years of smart, simple & secure convenience to your home.

Operation

To open or close the door simply press a button on a SecuraCode® handheld transmitter, a wall mounted transmitter, or optional wall switch for two seconds. During open and close cycles the door can be stopped by pressing the button again. The next actuation will move the reverse the door's direction.

SecuraCode® Code Hopping Technology

Every time a SecuraCode® transmitter is used a new security code is generated from over 4.29 billion possible code combinations. This greatly enhances the security of the system and makes "code grabbing" a thing of the past!

Security code store

The GDO-8v2 EasyRoller® II Garage Door Opener uses evolutionary technology to securely store eight (8) different transmitters in its memory.

Weatherproof design

The opener's control board is housed in a weather-proof enclosure rated to IP24. This offers protection from rain and the elements. **PLEASE NOTE - the unit should not be sprayed by a hose or any other water carrying device.**

ALPS (Automatic Limits Positioning System)

The ALPS system automatically calculates the door's travel limits and stores it in memory. If the door is moved manually within the travel limits during a power failure, the ALPS will recognise this once the power is restored and stop at the correct limit position if the door is activated. During installation the hand held transmitter can be programmed to set the door limits positions.

ISS (Intelligent Safety Obstruction System)

While the door is performing a close cycle, should it hit an obstacle or be restricted in some manner, it will automatically reverse. The amount of force the door should encounter before reversing is automatically adjusted by the doors control system during the initialisation of the automatic door opener. The door will also stop if restricted whilst opening. The Safety Obstruction Force should be checked at least once a month. See page 15 of this manual for instructions.





Lockable control panel

The control panel can be locked and disabled to prevent tampering. This is useful if the opener is to be mounted on an exposed carport or a perimeter door. Locking the control panel will prevent operating the door via the Operate button, reprofiling the door, clearing limits, clearing transmitters, changing force margins, and coding transmitters.

Overload indicator

When the maximum opening and closing capacity of the opener is exceeded an audible beeper will sound to indicate that an overload has occurred.

Photo Electric (P.E.) beam (optional)

The opener has an input for a P.E. beam to be connected for extra safety protection

Secure Light Module (optional)

external secure light module is available to connect to the gdo8 opener light stays on for approximately four minutes after the operation of opener

Manual operation

The opener is equipped with a unique patented manual disengaging device. If the power to the opener is disrupted for any reason the door can be put into manual mode by pulling down on the string handle, then releasing. This will allow you to manually open or close the door. When power is restored, by pulling down on the string handle and releasing, the opener is put back into automatic mode.

Security lock for manual release handle (optional)

For added security the manual release handle can be locked out or disabled. This is ideal if the opener is to be mounted on a perimeter door in an exposed carport.



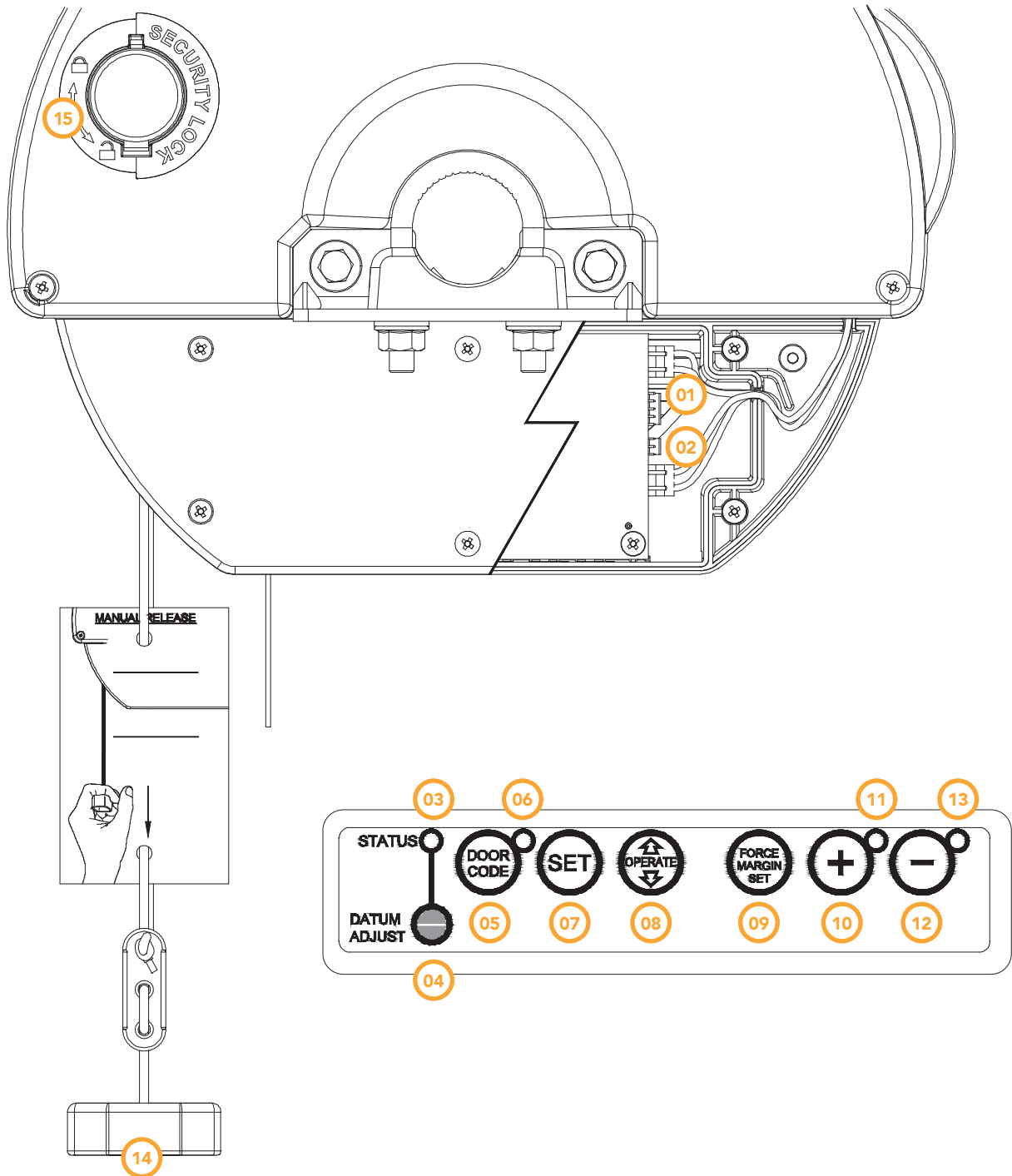


Operating controls

- 01 **Prog input** is used for the connection of the Automatic Technology PG-3 Universal Programmer for the purpose of editing control and receiver functions.
- 02 **P.E. Shunt** The shunt has to be removed when connecting a Photo Electric (P.E.) Beam. NOTE: THE P.E. Shunt must not be removed otherwise the opener will not function correctly. Remove only when a P.E. beam is to be connected.
- 03 **Status LED** (yellow) indicates when the datum adjustment screw has reached correct position.
- 04 **Datum Adjust Screw** Used to set mid-point of door travel during limits set up.
- 05 **Door Code** button (blue) is used for storing or erasing the transmitter button you wish to use to command the door to open, stop or close.
- 06 **Coding LED** (red) light indicates whether a code is being stored or when a transmitter button is pressed.
- 07 **Set** button (orange) is used during the installation phase together with the Plus and Minus buttons to set the door limit positions. The Set button is also used to re-initialise the Opener.
- 08 **Operate** button (blue) is used during installation to test the open, stop and close cycles for the opener. The opener has to be initialised by the Set button before the OPERATE button becomes operable.
- 09 **Force Margin Set** The obstruction force pressure is set automatically by the opener during installation. The pressure can be adjusted manually using the Force Margin Set button (White). Pressing the force margin set button and open or close button will increase or decrease the amount of force. The Force Margin Set is only ever used if other environmental factors (wind, etc.) affect the operations of the door/opener.
- 10 **Plus** button (green - for limits setting and force margin) can be used during installation to set the open limit position. Pressing this button will move the door in the open direction. Movement stops when the button is released. NOTE: The open safety obstruction detection is inoperable whenever the Close Drive button is used to move door. This button is disabled after initialisation. This button is also used to increase the force margin sensitivity.
- 11 **Open Limit LED** (green) the led is very helpful during installation. It illuminates and flashes when the door is opening and remains steady on when the open limit position has been reached.
- 12 **Minus** button (red - for limits setting and force margin) can be used during installation to set the close limit position. Pressing this button will move the door in the close direction. Movement stops when the button is released. NOTE: The close safety obstruction detection is inoperable whenever the Close Drive button is used to move door. This button is disabled after initialisation. This button is also used to decrease the force margin sensitivity.
- 13 **Close Limit LED** (red) the led is very helpful during installation. It illuminates and flashes when the door is closing and remains steady on when the close limit position has been reached.
- 14 **Engage/Disengagement Cord** is used to switch the door into manual mode especially in case of a power failure. The length of the string is also adjustable.
- 15 **Security Lock for Manual Release** (where fitted) prevents the manual release handle being pulled to disengage the opener into manual mode.



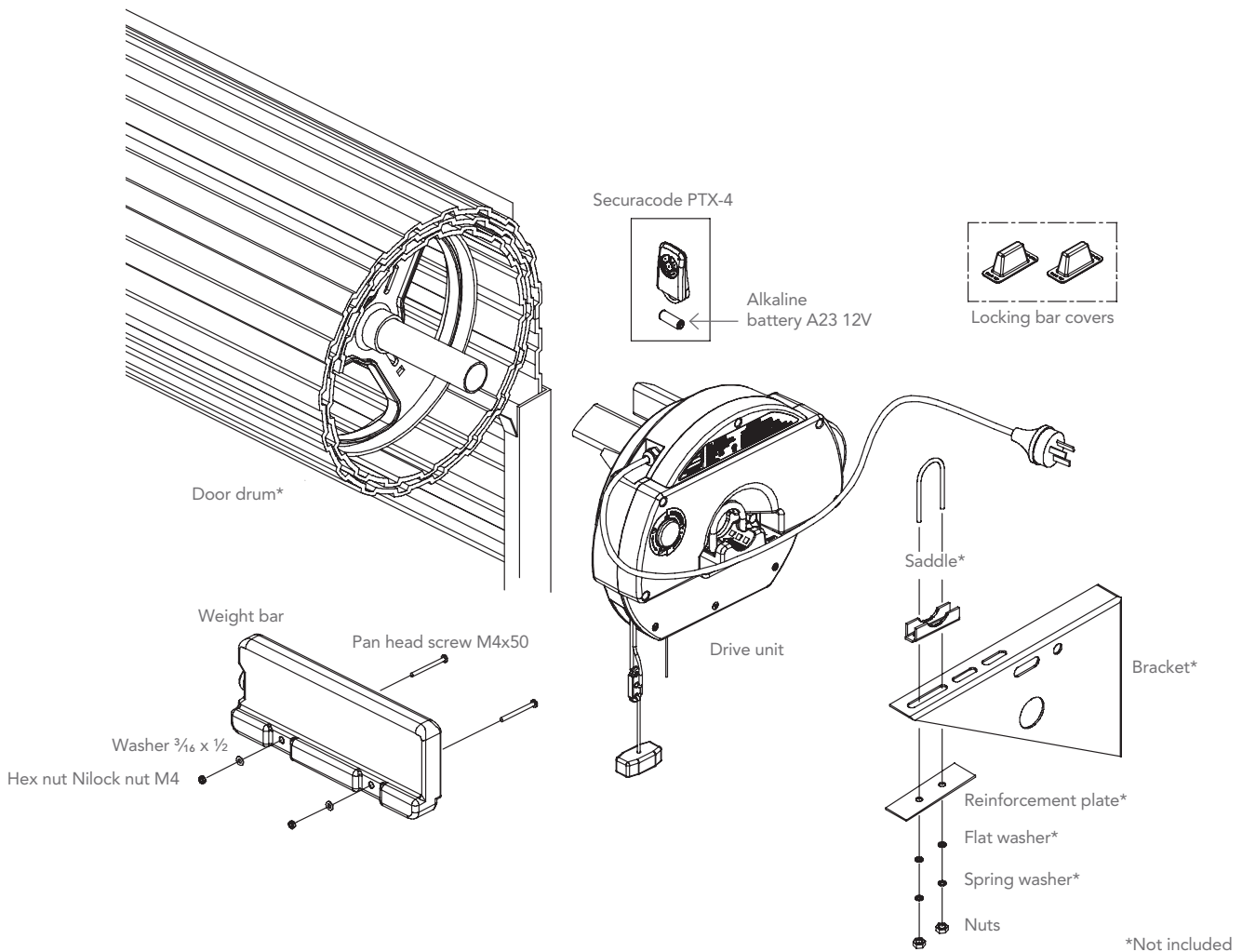
Operating controls





Package contents

GDO-8 Easyroller® drive unit	1
PTX-4 SecuraCode® keyring transmitter	1
Alkaline battery A23 12V	1
Weight bar (not included in some models)	1
Pan head screw M4x50mm (not included in some models)	2
Nilock hex nut M4 (not included in some models)	2
Flat washer I.D. 3/16 x 1/2 (not included in some models)	2
Locking bar covers	2
Installation manual	1





Before installation

IMPORTANT SAFETY INSTRUCTIONS FOR INSTALLATION

**Warning: Incorrect installation can lead to severe injury.
Follow ALL instructions.**

Side Room Requirements

Fig. 01 shows the minimum and recommended side room that is required to mount the opener. The distance between the edge of the door curtain and the inside of the bracket must be at least 40mm. However, for easier access it is recommended that at least 95mm is allowed.

1. Check operation of door before beginning the installation of the EasyRoller® II.

The door must be well balanced and be in a reasonable operating condition. You should be able to lift the door smoothly and with little resistance. It should stay open around 900mm to 1200mm above the floor. The door should not stick or bind in the guide tracks. The ideal operational effort in raising or lowering the door should not exceed a force of 10kg (22lb). Make sure that all door locks, ropes, chains etc. are either released or disabled and remove unnecessary accessories.

2. Fixing Of Door Weight Bar

Move the door manually to the half open position. Place the weight bar on the bottom rail in the middle of the door and secure with the fasteners provided (**Fig. 02**). Check the operation of the door again. If the door feels heavy it may require extra tension to be added to the door springs. **IMPORTANT - Door springs are under extreme tension and should only be adjusted by a garage door professional**

3. Installing Locking Bar Covers

To protect against entrapment of fingers etc. inserted into door guides – remove the protective backing of the double sided tape and install the locking bar covers over the holes in each door guide.

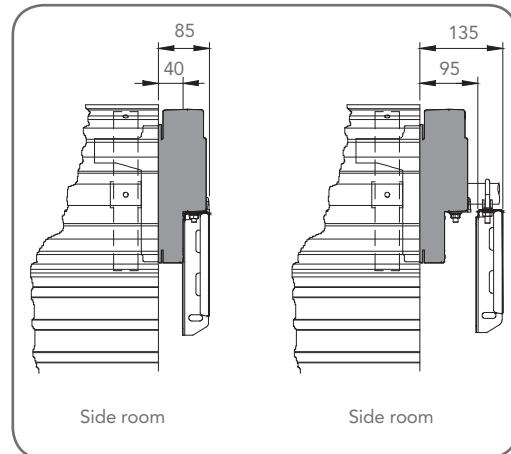


fig 01

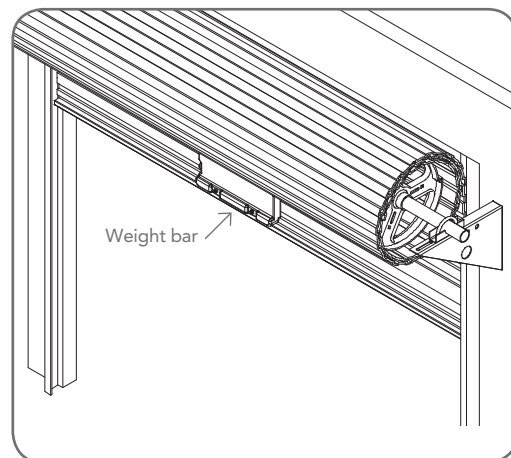


fig 02

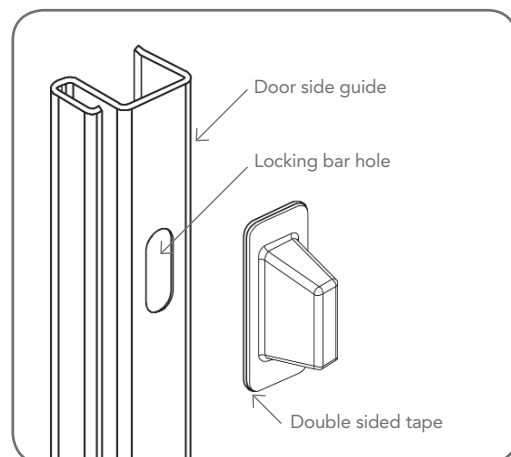


fig 03





Mounting the opener

fig 04

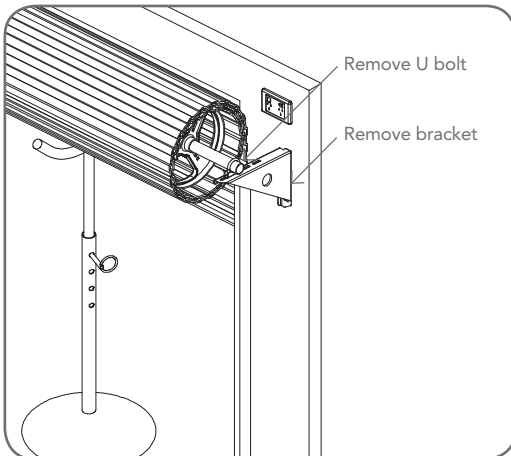


fig 05

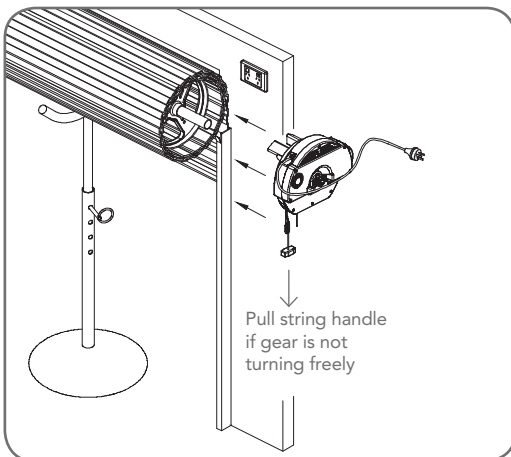
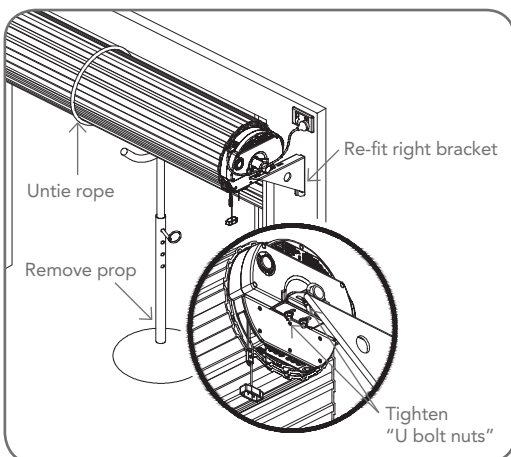


fig 06



4. Fixing drive unit to the door

The EasyRoller® can be fixed to the roll up garage door in a variety of ways. Described below is one method of fixing. Make sure there is enough side room to slide the drive assembly onto shaft.

PLEASE NOTE: The instructions for fixing the drive assembly to the door is for right hand installation.

Fitting drive unit to door (Fig. 04, Fig. 05 and Fig. 06).

1. Check that the door shaft U bolt is securely tightened on the left hand side of the door.
2. Raise the door and tie a rope around the centre to secure the roll.
3. Support the right hand end of the door with a suitable prop, e.g. step ladder and soft padding to protect door surface.



WARNING: Do not allow children/persons around the door and prop. Serious personal injury and/or property damage can result from failure to follow this warning.

4. Carefully loosen and remove the right hand door shaft U-bolt.
5. Make sure that the door supporting prop is secure. While the door is supported remove the right hand door mounting bracket from wall.
6. Remove the drive assembly from the packaging. Try to rotate the drive gear by pushing on the fork. If the gear does not rotate the manual mode has to be selected. To select pull downward on the string handle, then release slowly. The drive gear should now rotate freely.
7. Slide the drive assembly over the door axle making sure that the fork extends into and over one of the spokes of the door drum wheel.
8. Refit the door mounting bracket to the wall. In some cases the bracket may have to be re-positioned. Re-fit and tighten the door shaft U-bolt. Remove door supporting prop and untie the rope from the curtain.
9. Straighten the drive assembly and position as per **Fig. 06**. Tighten the two locking bolts firmly to secure the Drive Unit.
10. Check the manual operation of the door by raising and lowering the door. The door should run smoothly and not catch on any part of the drive assembly.
11. Adjust the length of the manual release cord so that it can be easily reached by an adult of average height (ie. less than 1.8m tall).

NOTE: After installation, ensure that parts do not extend over public footpaths or roads.





Setting limits

5. Fixing of door curtain to drumwheel

The door curtain has to be secured to the drum wheel with suitable fasteners. This prevents unauthorised access through the door by pushing the curtain up and off the drum.

1. With the door in the fully closed position, mark the curtain (**Fig. 07**) on both ends of the door.
2. Open door slightly to have access to the marked positions. Secure the curtain to drum wheel using self drilling screws (two on each end). The screws should be at least 90 degrees apart.

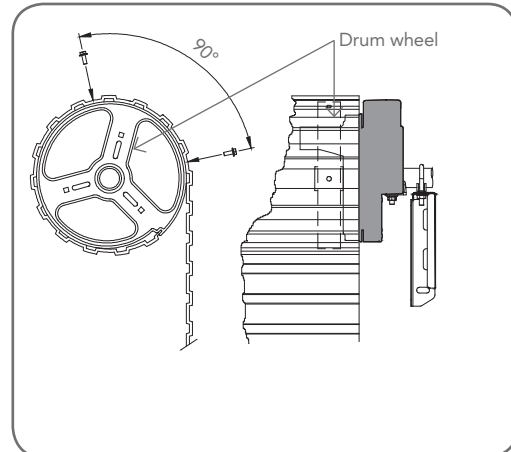


fig 07

6. Setting door travel limits

IMPORTANT NOTE: The OPERATE button will not function until the open and close limits positions are set.

6.1 Coding transmitter for setting limits

1. Press and hold the Door Code button (**Fig. 09**).
2. Press button 1 (**Fig. 11**) on the transmitter for two seconds.
3. Release and pause for two seconds.
4. Press the same button transmitter again for two seconds.
5. Release the Door Code button.

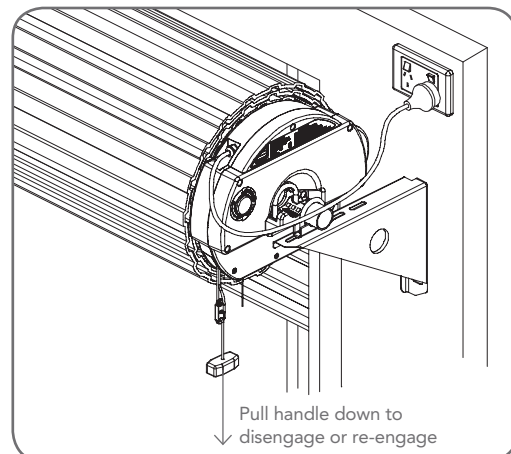


fig 08

6.2 Setting datum position

1. Switch the opener into manual mode (**Fig. 08**).
2. Move the door by hand to an approximately mid open position.
3. Re-engage the opener.
4. Using a small blade screw driver turn the datum adjust screw slowly until the yellow status LED just illuminates.

NOTE: If the status LED is already illuminated when power is connected then turn the datum adjust screw until the LED goes off then turn back one notch to illuminate again.

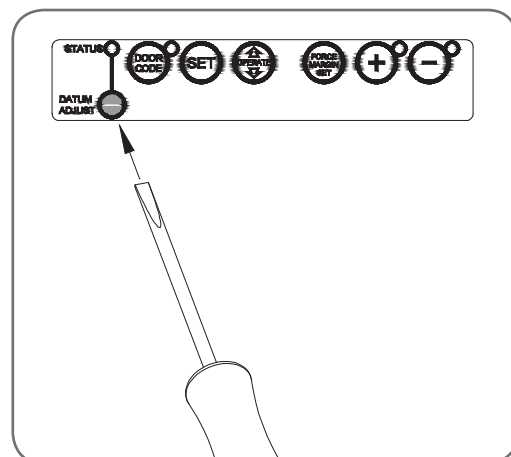


fig 09





Setting limits

fig 10

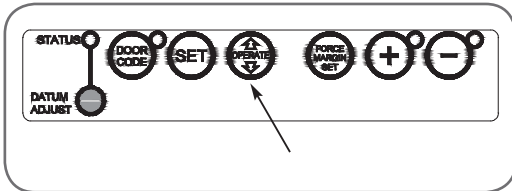
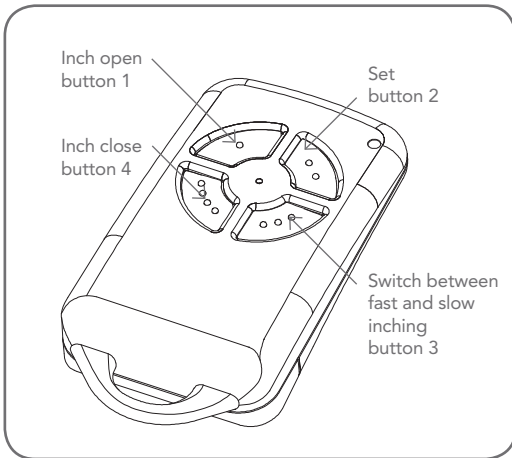


fig 11



6.3 Setting limits via remote control

PLEASE NOTE: The opener is factory preset for installation on the RIGHT HAND SIDE. When the opener is mounted on the left side of the door the opener will travel in reverse.

1. Press button 4, the door will start closing. If the door starts to open - press the Operate button (**Fig. 10**) within two (2) seconds. Press button 4 again - the door should now close. Release the button once you are 1 to 2cm from your desired closed limit position.
2. Press button 3 for two (2) seconds to switch to slow inching mode.
3. Press button 4, each press will enable you to inch the door to your desired closed position.
4. Once you are happy with the position press button 2, to store the closed limit position into memory.
5. Press button 1, the door will start opening. Release the button once you are 1 to 2cm from your desired open limit position.
6. Press button 3 for two (2) seconds to switch to slow inching mode.
7. Press button 1. Each press will enable you to inch the door to your desired closed position.



IMPORTANT WARNING: Please be aware that the garage door will start closing automatically once step 8 is performed. The door will also automatically re-open after fully closing with a short pause between the cycles.

8. Once you are happy with the position press button 2, to store the open limit position into memory.

The door will now automatically close to its limit position then fully open to calculate the safety obstruction forces (ISS). Please be aware of the above warning.

7. Resetting door limits positions

The door curtain has to be secured to the drum wheel with suitable fasteners.

The door limit positions can be deleted for new positions by following the steps below:

1. Press and hold the Minus button (**Fig. 10**) for six (6) seconds until you hear three beeps and the red Close Limit LED starts to flash. Release the button.
2. Follow STEP 6.3 above to set new travel limit positions.

IMPORTANT: There is no need to re-code the transmitter used for setting the limit positions. After the limits are set the transmitter will automatically reset to normal operation.

Go to STEP 8 and test the Safety Obstruction Force.





Setting safety obstruction force

8. Safety obstruction test

Please take care when testing the Safety Obstruction Force. Due to Excessive forces failure to follow this warning may cause **SERIOUS PERSONAL INJURY** and/or property damage. The test below should be repeated at regular intervals (approximately every two months).

8.1 Testing close cycle

1. Open the door by pressing the OPERATE button (Fig. 12).
2. Place a length of timber approximately 50mm high on the floor directly under the door (Fig. 13).
3. Press the OPERATE button to close door. The door should strike the object and start to re-open.

NOTE: If the door stops and fails to reopen, it is possible that the motor direction is set incorrectly. Change the motor direction and retest.



IMPORTANT WARNING: If the test fails, there may be a problem with the door, discontinue use, put the door into manual operation and call for service.

8.2 Testing open cycle

1. With the door closed - press the OPERATE button to open the door. When the door is approximately one metre above the hold the bottom rail of the door firmly, the door should stop.

Adjusting safety obstruction force

The Safety Obstruction Force is calculated automatically and set in memory on the EasyRoller®. It is usually not necessary to adjust the Safety Obstruction Force. The only time the force may need to be increased is due to environmental conditions, for example, windy or dusty areas, and areas with extreme temperature changes. If adjustments are made you must retest the obstruction force margin as per above.

8.3 To increase force pressure

1. Press and hold the Force Margin Set button (Fig. 12)
2. While holding down the Force Margin button, press the Plus button. Each press increases the force margin in both directions. The Open Limit LED will illuminate each time the Plus button is pressed. Each press increases the force margin. Test the force as per step 8.1 and 8.2. If the Open Limit LED flashes continuously when the Plus button is being pressed, this indicates that the maximum force pressure setting has been reached.

8.4 To decrease force pressure

1. Press and hold the Force Margin Set button (Fig. 12).
2. While holding down the Force Margin button, press the Minus button. Each press decreases the force

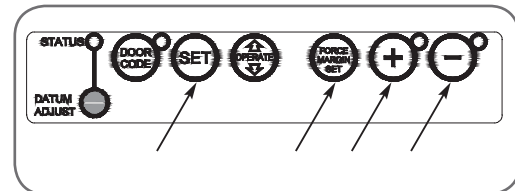


fig 12

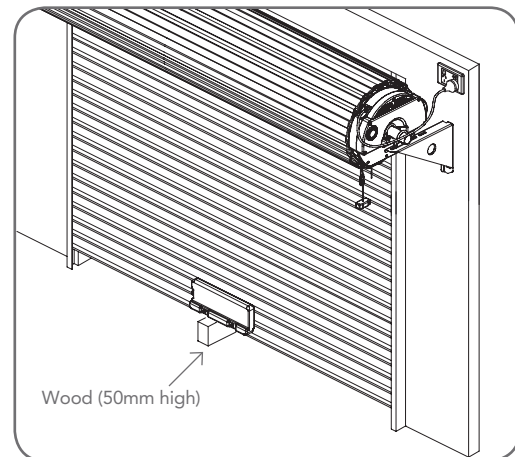


fig 13

margin. The Close Limit LED will illuminate each time the Minus button is pressed. Test the force as per step 8.1 and 8.2. If the Close Limit LED flashes continuously when the Minus button is being pressed, this indicates that the maximum force pressure setting has been reached.

8.5 To recall factory set force

1. While holding down the Force Margin Set button (Fig. 12) press the SET button for two (2) seconds.
2. Release both buttons. The default setting should now be recalled.

8.6. To re-calculate force margin (iss)

Press and hold the Set Button for two (2) seconds, the beeper will sound once. The door will start to move and re-calculate force margins. The door can move between the open and close limit positions up to four (4) times (depending on the position of the door and the power up condition). A single beep will be heard once the process is complete. The door is now ready for use.

IMPORTANT NOTE: After installation ensure that the opener stops or is prevented from opening when the door is loaded with a mass of 20kg fixed centrally at the bottom edge of the door.





Coding transmitters

fig 14

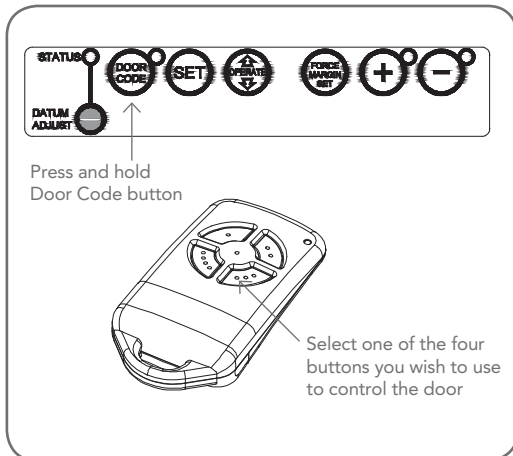
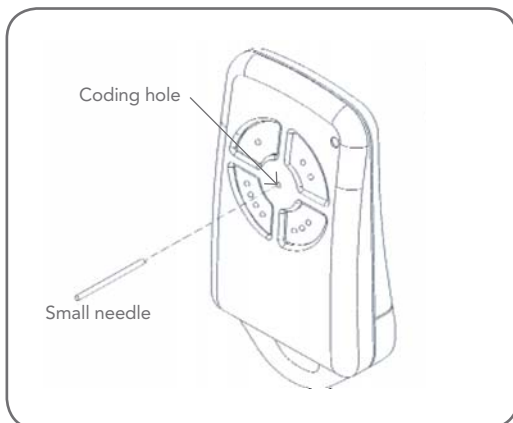


fig 15



IMPORTANT NOTE: The door must be activated when the step below is performed. The moving door confirms that the correct button was pressed and the transmitter was in range of the opener.

1. Take any pre-coded transmitter. Press the button for the function you require until the door is activated and release.
2. Using a small needle press the button through the Coding Hole for two seconds (**Fig. 15**).
3. Within 10 seconds take the additional transmitter you wish to code.
4. Press the button (one of four) on the new transmitter you would like to use to control the door for two seconds, pause for two seconds. Press the same button again on the transmitter for two seconds, the button should now be stored.
5. Wait for 10 seconds and then test the new transmitter to see if it operates the door.

11. Deleting programmed codes

11.1 deleting a stored transmitter code

1. Select the transmitter you want to delete.
2. Press and hold the Door Code button (**Fig. 14**).
3. Press the transmitter button you would like to delete for two seconds. Pause for two seconds. Press the transmitter button again for two seconds.
4. Release the Door Code button. The code should now be deleted. Confirm this by pressing the transmitter button, the door should not respond.

11.2 Deleting all stored transmitter codes

1. Turn the power off to the opener.
2. Press and hold the Door Code button (**Fig. 14**).
3. Turn the power on again while holding the Door Code button. The Open Limit, Close Limit and Door Status LED's will illuminate for about five seconds. These LED's will turn Off and the Coding LED will illuminate. Release the Door Code button. All the stored codes should now be deleted. Confirm this by trying to operate the door by pressing the transmitters previously used to control the door, the door should not respond.

9. Setting transmitters codes

Make sure to insert the battery into the transmitters. The memory in the openers receiver can store up to eight remote control transmitters.

9.1 Storing the transmitters code

1. Press and hold the Door Code button (**Fig. 14**).
2. Press the button (one of four) on the transmitter you would like to use to control the door for two seconds, pause for two seconds. Press the same button again on the transmitter for two seconds.
3. Release the Door Code button.
4. Press the transmitter button to test if it operates the door.

10. Storing transmitter(s) from a remote location

Using this method you don't need to have access to the control panel on the Door Opener. However, you do need a transmitter that is pre coded to the controller's receiver.

12. Locking the control panel

To lock or disable the control panel a transmitter button must be coded to operate the door.

1. Press and hold coded button of transmitter to operate the door and Plus (+) button on the opener together until you hear a beep (approx. four (4) seconds).
2. Release both buttons.
3. The control panel should now be locked. Press the Operate button on the opener to confirm the door does not move.

To unlock the control panel repeat the above steps.





PE beam and final set up

13. Fitting the Photo Electric (P.E.) beam sensor (optional)

Locate the P.E. Beam in a strategic location within doorway. Automatic Technology recommends 150mm above the floor level and as close as possible to the door opening, inside the garage. Remove shunt from P.E. connector (Fig. 16) and connect the wires from the P.E. wiring harness as per Fig. 17.

NOTE: The wiring diagram is for an Automatic Technology Transmitter/Receiver type P.E. beam: model: PE-2 (Order Code 90214) with Wiring Harness (Order Code 01900).

Make sure to align the beams correctly. Follow the manual supplied with the Photo Electric Beam.

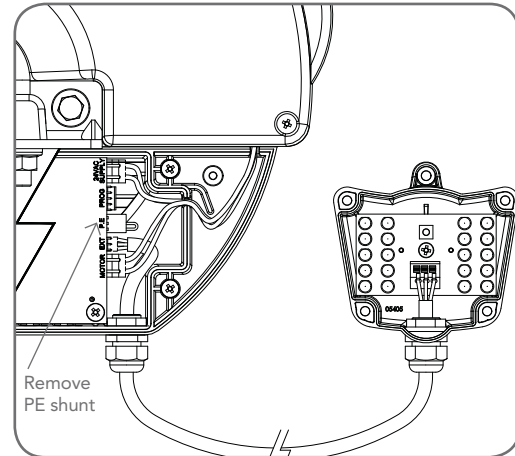


fig 16



WARNING: The location of the beam and manner in which it is installed might not give safety protection at all times. Check to make sure that the height of the beam and type used give maximum protection possible.

External Secure Light Module

external secure light can be connected to gdo8 as shown in fig 16. the light stays on for three minutes after the operation of the door. built in operate button can be used to open or close the door

14. Manual release

To switch the opener to manual mode simply pull the red manual release handle down and release. To re-engage the opener repeat the above action (Fig. 18).

Note: The door may move uncontrollably if the spring tension is weak or not set properly or the door is unbalanced. If this occurs do not use the door and contact your installer for service.

The manual release handle can be locked to prevent unwanted disengagement (where fitted). This is useful if the opener is mounted on an exposed carport or perimeter door. To disable the manual release turn the key clockwise to the locked position as indicated on the label. To enable turn the key anti-clockwise.

15. Reset all factory defaults

1. Turn power off.
2. Press and hold Set button.
3. Turn power on and continue holding Set until all LEDs are off.

NOTE: This does not erase transmitter codes stored in memory.

16. Re-initialising the opener

To re-initialise the opener press and hold the Set Button for two (2) seconds, the beeper will sound once. The door will start to move and re-calculate force margins. The door can move between the open and close limit positions up to four (4) times (depending on the position of the door and the power up condition).

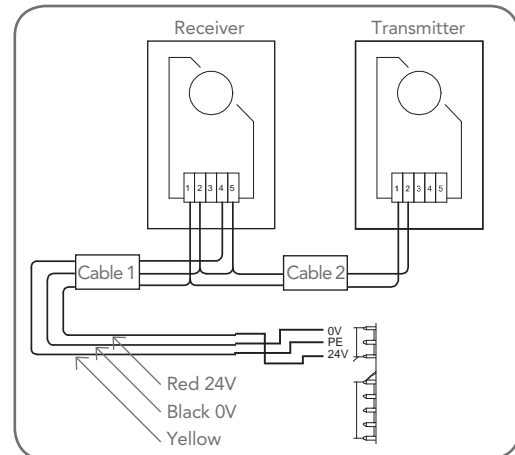


fig 17

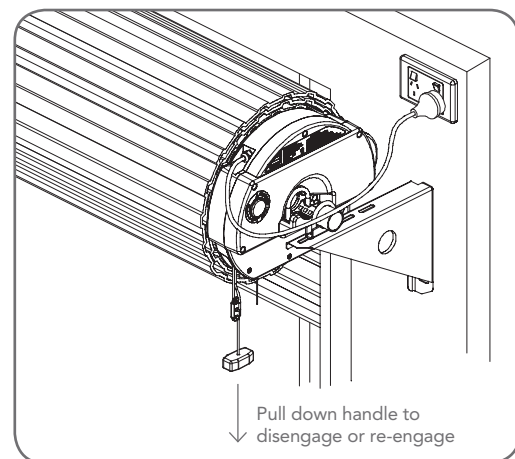


fig 18





Parameters

Door Status Indicators

Door Opener State	Open LED Green	Close LED Red	Door Status LED yellow	Beeper
Open	On			
Close		On		
Opening	Flashing			
Closing		Flashing		
Door travel stopped	Flashing			
Door obstructed when opening	Flashing			
Door obstructed when closed		Flashing		Beeps while door is moving
Opener overloaded	Alternating flashes	Alternating flashes		
Mains power interrupted	Rapid flashes			

Buttons	Function
Operate	Opens/Stops/Closes the door
Door code	Codes a transmitter button for OPERATE function
Force Margin Set + plus (+)	Increases the obstruction force margin setting
Force Margin Set + Minus (-)	Decreases the obstruction force margin setting
Force Margin Set (then) Set	Reloads the factory set default obstruction force margin setting
Close for 6 seconds	Clears the door limits set positions. Limits then need to be reset
Set (then power on) & hold until all LEDs are off	Deletes control parameters excluding transmitter storage memory
Door Code (then power on) & hold until all LEDs are off	Deletes all transmitter stored in memory.
Set for 2 seconds	Re-initialises the Opener to re-calculate force margins

Purchased from: _____ Phone: _____

Installed by: _____ Date: _____

Serial No: _____





Default settings & specifications

Factory Default Settings

	Default	Step	Maximum
Maximum motor run time	30 seconds	-	-
Obstruction force margin	8	1	-

Technical Specifications

Input:	230v. - 240v AC 50Hz
	230V OR 115V 50 - 60 Hz (Only In DSV Model)
Controller voltage:	24v. DC
Standby power:	2.8W
Motor power:	100W
Operating temperature	+5° to +40°C
Maximum door opening: ^{1,2}	width: 5500mm height: 2700mm weight: 100kg
Maximum lifting force:	450N (45kg)
Recommended lifting force:	120N (12kg)
Opener limits travel:	3.25 Turns of door drum wheel
Operating time - intermittent:	4 minutes
Receiver type:	UHF 433.92 MHz. am receiver
Receiver code storage capacity:	8 x 4 button transmitter codes
Transmitter frequency:	433.92 MHz
Coding type:	Code hopping
No. of code combinations:	Over 4.29 billion random codes
Code generation:	Non-linear encryption algorithm
PTX-4 transmitter battery:	A23 Alkaline 12V

NOTE:

1. The maximum continuous curtain residential roll up door opening that the EasyRoller® can be installed on is 5500mm wide by 2700mm high. The door must be well balanced. A person of average strength should be able to lift up the door manually with very little effort in case of an emergency.
2. Intermittent operations may occur in areas which experience very strong winds. The strong wind puts extra pressure on the door and tracks which may in turn trigger the safety obstruction detection system intermittently.





Trouble shooting

Door Status Indicators

Symptom	Possible cause	Remedy
Door will not operate	Mains power not switched on. Door is obstructed. Door is locked or motor jammed. Door tracks/hardware damaged.	Switch on mains power. Remove obstruction. Unlock door or remove jam. Door requires service/repair by qualified technician.
Door starts to close but automatically reverses to open position	Adverse weather conditions (wind or cold) causing door to stiffen and become tight in the tracks. Possible obstruction in the doorway.	Increase force margin setting See Step 8.3 on page 13. Or re-calculate force margin. Remove obstruction.
Door operates from drive unit (OPERATE) button but not from transmitter* See note	Transmitter code not stored in memory. Flat battery.	Code transmitter in to openers memory. Refer step 9.1 on page 16 Replace battery - A23 Alkaline 12V.
Door will not open or close fully.	Door limits position need to be reset.	Door limits position need to be reset. See Page 14.
Door is overshooting or not reaching limits.	Datum position not set correctly.	Reset datum position. See Step 6.2 Page 13
Cannot set limits.	Datum position not set correctly.	Reset datum position. See Step 6.2 Page 13
Door not working with PE installed.	PE Beam or wiring faulty. PE Beam not aligned correctly. PE Beam is obstructed. Door obstructed when closing.	Repair PE Beam or replace wiring. Re-align optics. See PE Instructions. Remove obstruction from the path of PE. Remove obstruction.

PLEASE NOTE:

Some areas may be prone to excessive radio interference brought on by devices such as cordless telephones, wireless stereo headphones and baby monitors. It is possible that these devices could cause a degree of interference such as to greatly reduce the range of the transmitter. In such an instance please contact your Automatic Technology dealer for an alternative frequency replacement kit. As this is not a warrantable situation but an environmental issue charges may apply for the changeover.





Maintenance

Date	Maintenance performed by	Signature	Amount	Invoice No.

PLEASE NOTE:

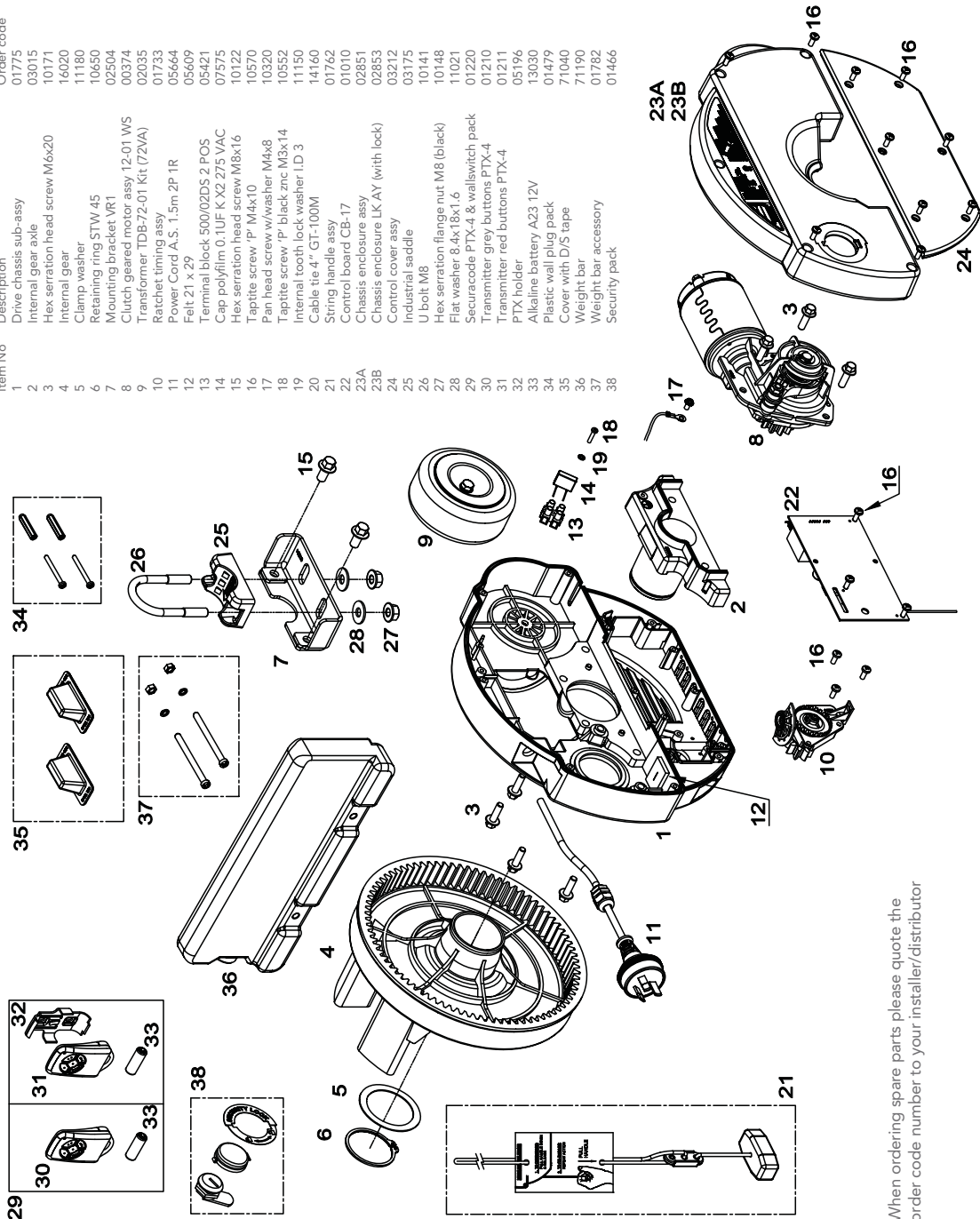
Some areas may be prone to excessive radio interference brought on by devices such as cordless telephones, wireless stereo headphones and baby monitors. It is possible that these devices could cause a degree of interference such as to greatly reduce the range of the transmitter. In such an instance please contact your Automatic Technology dealer for an alternative frequency replacement kit. As this is not a warrantable situation but an environmental issue charges may apply for the changeover.





Spare parts list

Item No	Description	Order code
1	Drive chassis sub-assy	01775
2	Internal gear axle	03015
3	Hex serration head screw M6x20	10171
4	Internal gear	16020
5	Clamp washer	11180
6	Retaining ring STW 45	10650
7	Mounting bracket VR1	02504
8	Clutch geared motor assy 12-01 WS	00374
9	Transformer TDB-72-01 Kit (72VA)	02035
10	Ratchet timing assy	01733
11	Power Cord A.S. 1.5m 2P 1R	05664
12	Felt 21 x 29	05609
13	Terminal block 500/02DS 2 POS	05421
14	Cap polyfilm 0.1UF K X2 Z75 VAC	07575
15	Hex serration head screw M8x16	10122
16	Taprite screw 'P' M4x10	10570
17	Pan head screw w/washer M4x8	10320
18	Taprite screw 'P' black zinc M3x14	10552
19	Internal tooth lock washer I.D. 3	11150
20	Cable tie 4" GT-100M	14160
21	String handle assy	01762
22	Control board CB-17	01010
23A	Chassis enclosure assy	02851
23B	Chassis enclosure LK AY (with lock)	02853
24	Control cover assy	03212
25	Industrial saddle	03175
26	U bolt M8	10141
27	Hex serration flange nut M8 (black)	10148
28	Flat washer 8.4x18x1.6	11021
29	Securacode PTX-4 & wallswitch pack	01220
30	Transmitter grey buttons PTX-4	01210
31	Transmitter red buttons PTX-4	01211
32	PTX holder	05196
33	Alkaline battery A23 12V	13030
34	Plastic wall plug pack	01479
35	Cover with D/S tape	71040
36	Weight bar	71190
37	Weight bar accessory	01782
38	Security pack	01466



When ordering spare parts please quote the order code number to your installer/distributor



Warranty and exclusion of liability

1. This warranty is an addition to any non-excludable conditions or warranties that are implied into this contract by relevant statute, including the Trade Practices Act 1974 (Cth).
2. Subject to all of the matters set out below, Automatic Technology Australia Pty Ltd ("ATA") warrants:
 - (a) roll-up door opener drive units for twelve (12) months or 2500 cycles, whichever occurs first; and
 - (b) all components and accessories for twelve (12) months, from the date of purchase (specified in the sales docket receipt) as free of any defects in material and workmanship.
3. This warranty applies only where the purchaser:
 - (a) immediately notifies ATA or the retailer of the alleged defect;
 - (b) returns the product to the retailer; and
 - (c) presents the relevant sales docket and this warranty document to the retailer to confirm the date of purchase.
4. Except for this warranty, ATA gives no warranties of any kind whatsoever (whether express or implied), in relation to the product, and all warranties of whatsoever kind relating to the product are, to the extent permissible by statute, hereby excluded.
5. To the extent permissible by statute, ATA disclaims any liability of whatsoever nature in respect of any claim or demand for loss or damage which arises out of:
 - a) accidental damage to or normal wear and tear to the product or to the product's components;
 - b) any cost relating to damage resulting from wear and tear;
 - c) blown fuses, loss or damage caused by electrical surges, power surges or power spikes;
 - d) loss or damage due to theft, fire, flood, rain, water, lightning, storms or any other acts of God;
 - e) maximum continuous operating time exceeding one (1) minute in ten (10);
 - f) maximum operating force exceeding 15Kg (150N) when moving the door or gate manually to the open or closed position;
 - g) door surface area and/or weight exceeding 15m² and 100Kg respectively;
 - h) residential gate weight exceeding 400Kg;
 - i) door or gate not in safe and correct working order and condition;
 - j) evidence of unauthorised repairs;
 - k) any cost relating to damage caused by misuse, negligence or failure to maintain the equipment in a proper working order as per clauses (d) through (i);
 - l) installation, adjustment or use which is not in accordance with the instructions set out in installation instruction manual;
 - m) attempted or complete modification or repairs to the product carried out by a person who is not authorised or has not been trained by ATA to carry out such modification or repairs;
 - n) faulty or unsuitable wiring of structure to which the product is fixed or connected;
 - o) radio (including citizen band transmission) or any electrical interference;
 - p) damage caused by insects;
 - q) loss or damage to any property whatsoever or any loss or expense whatsoever resulting or arising there from or any consequential loss;
 - r) any cost or expense arising due to manufacturer recall of any product;
 - s) any cost or expense due to negligence of the approved service provider;
 - t) installation of a residential garage door or gate opener in a commercial or industrial situation or a non-single residential dwelling.
6. ATA's liability under this warranty is limited, at ATA's absolute option, to replacing or repairing the product which ATA, in its unfettered opinion, considers to be defective either in material and/or workmanship or to credit the dealer with the price at which the product was purchased by the dealer.
7. This warranty does not extend to cover labour for installation.
8. This warranty is limited to Return-to-Base (RTB) repair and does not cover labour for on-site attendance.
9. This warranty is void if the Product is not returned to the manufacturer in original or suitably secure packaging.
10. This warranty is only applicable for repairs to the product carried out within Australia.
11. This warranty does not cover consumable items including globes, batteries and fuses.
12. This warranty is not transferable.
13. Where the Product is retailed by any person other than ATA, except for the warranty set out above, such person has no authority from ATA to give any warranty or guarantee on ATA's behalf in addition to the warranty set out above.

NOTES:

1. One (1) cycle = one (1) open and one (1) close action of the door or gate.
2. This warranty is to be read in conjunction with the owner's copy of the installation instruction manual.

AUTOMATIC TECHNOLOGY (AUSTRALIA) PTY LTD

ABN 11 007 125 368
6-8 Fiveways Boulevard
Keysborough, Victoria, 3173
Australia
(p) +61 (0)3 9791 0200 (f) +61 (0)3 9791 0250
sales@ata-aust.com.au
www.ata-aust.com.au

©January 2007 Automatic Technology Australia Pty Ltd. All Rights Reserved. SecuraCode® and EasyRoller® are registered trademarks of Automatic Technology Australia. In an ongoing commitment to product quality Automatic Technology reserve the right to change specifications without notice. E&OE. Printed For Export.





automatic
TECHNOLOGY

smart | simple | secure

an alesco company

Automatic Technology Pty Ltd

ABN 11 007 125 368

6-8 Fiveways Boulevard
Keysborough, Victoria 3173
P 1300 133 944

E sales@ata-aust.com.au
www.ata-aust.com.au